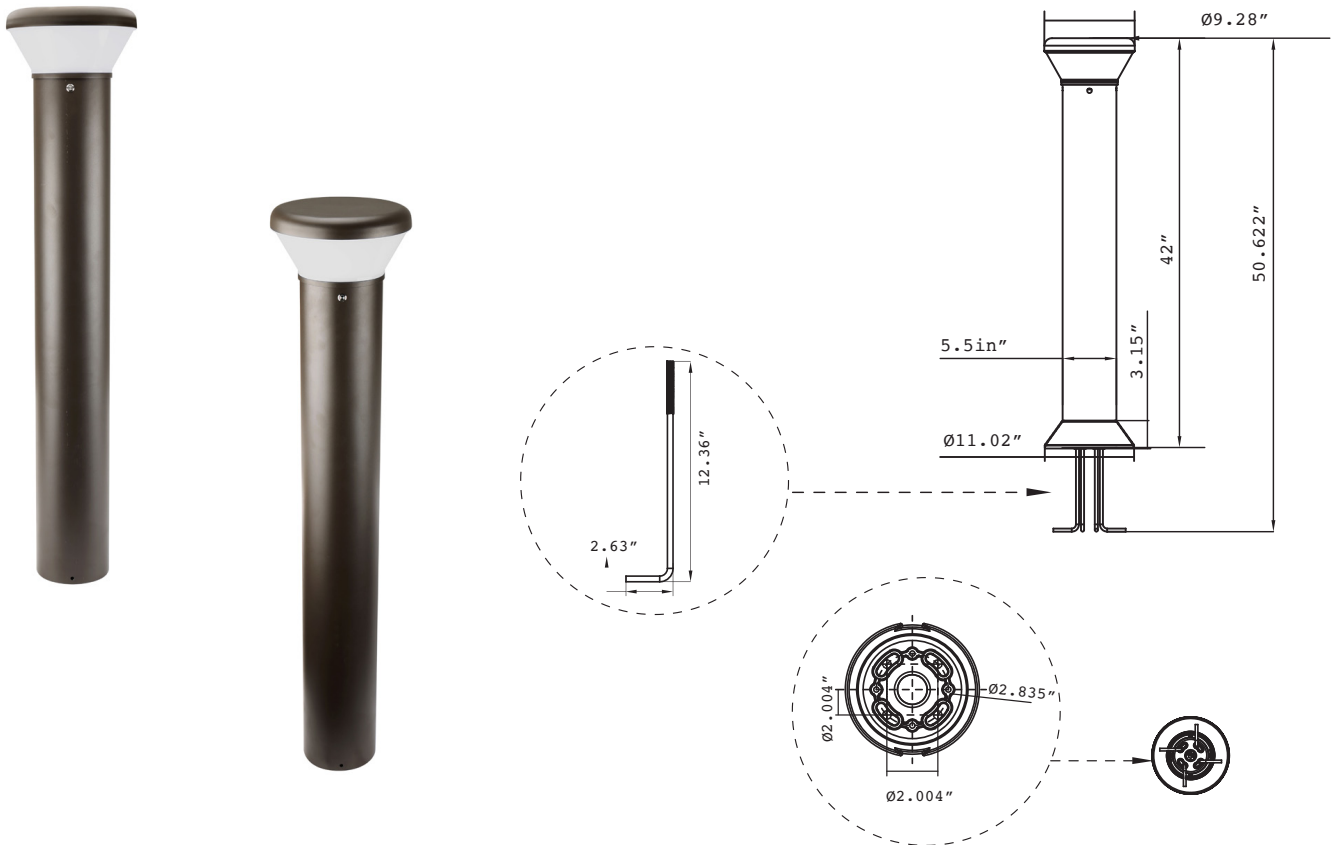


INSTALLATION INSTRUCTIONS

WARNING: RISK OF FIRE AND ELECTRICAL SHOCK. FIXTURE MUST BE INSTALLED BY A QUALIFIED ELECTRICIAN ONLY IN ACCORDANCE WITH NATIONAL, LOCAL BUILDING AND ELECTRICAL CODES. DISCONNECT POWER AT ELECTRICAL PANEL BEFORE SERVICING.

⚠ PLEASE READ ALL INSTRUCTIONS BEFORE ATTEMPTING INSTALLATION

- To prevent personal injury or product damage only licensed electricians should install.
- To avoid electric shock or component damage disconnect power before attempting installation or servicing.
- This product must be installed in accordance with the national electric code (NEC) and all applicable federal, state and local electric codes and safety standards.— Disconnect product and allow cooling prior to servicing.
- Any alteration or modification of this product is expressly forbidden as it may cause serious personal injury, death, property damage and/or product malfunction.— To prevent product malfunction and/or electrical shock this product must be properly grounded.
- This luminaire is designed to operate in ambient temperatures ranging from -40°C to 45°C and to be horizontally mounted with the LEDs facing down.
- This product must be installed in accordance with the applicable installation code by a Person familiar with the construction and operation of the product and the hazards involved.
- In 75°C supply conductors.
- This product is not available for several special environments, such as places with corrosive gas liquids or high pressure water vapor.
- The allowable ambient temperature is 10°C(50°F) to 40°C(104°F) when configuring the emergency battery kit.

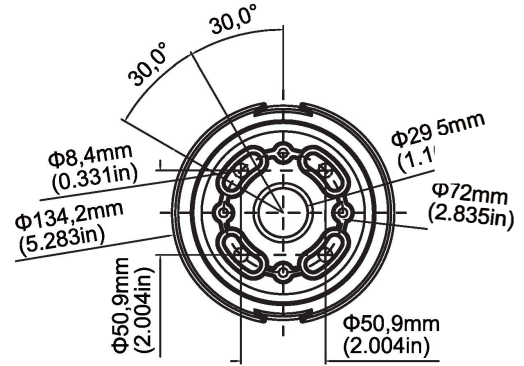


Alcon Lighting 9002 42-Inch Architectural LED Bollard Pathway Light



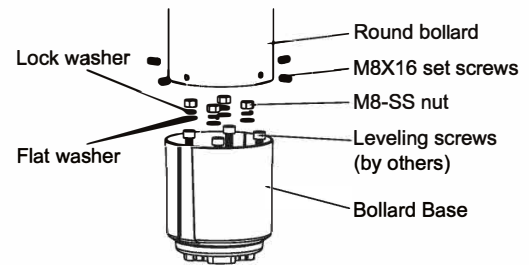
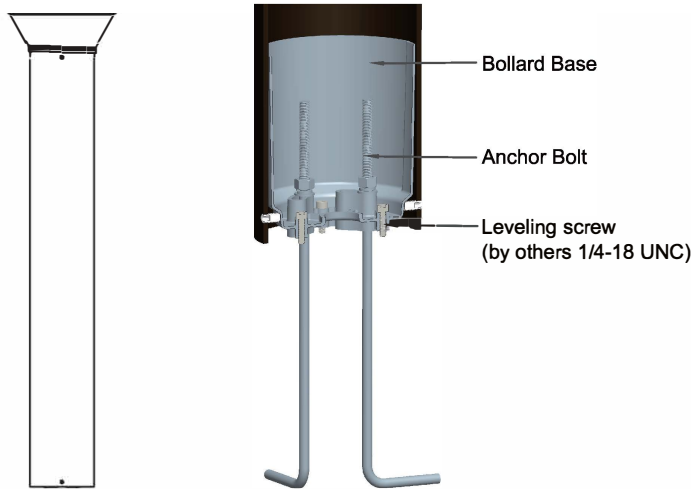
LED Bollard Pathway Light Installation Instructions

1. LED Bollard Pathway Light Installation Instructions
 - a. Verify Bolt Placement
 - b. Check the bolt circle diameter and anchor bolt projection to ensure proper alignment.
 - c. Use the anchor bolt template for accuracy before proceeding.
2. Position the Bollard Base
 - a. Place the bollard base over the anchor bolts.
 - b. Loosely tighten the provided washers and nuts for initial positioning.
3. Secure the Base
 - a. Once aligned, tighten all nuts and screws securely to ensure stability.
4. Prepare for Wiring
 - a. Confirm that the supply leads extend far enough for proper fixture connection.
 - b. Complete all wiring connections in accordance with local electrical codes.
5. Attach the Bollard
 - a. Align the bollard post with the grooves on the base.
 - b. Ensure the LED position is correctly oriented before securing.
6. Finalize Installation
 - a. Use the four set screws to firmly secure the bollard to the base.

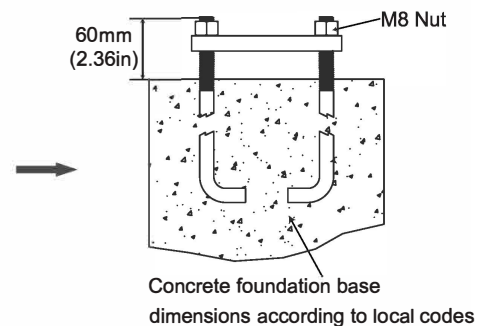
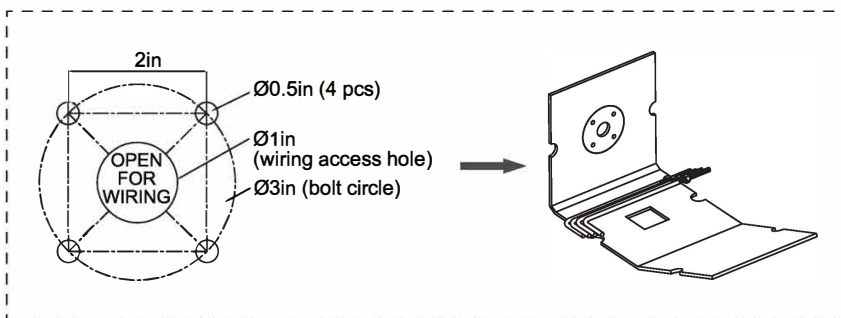


For optimal performance and longevity, verify all connections are properly insulated and protected against outdoor conditions.

ANCHOR BOLT TEMPLATE FOR BLEED BOLLARD



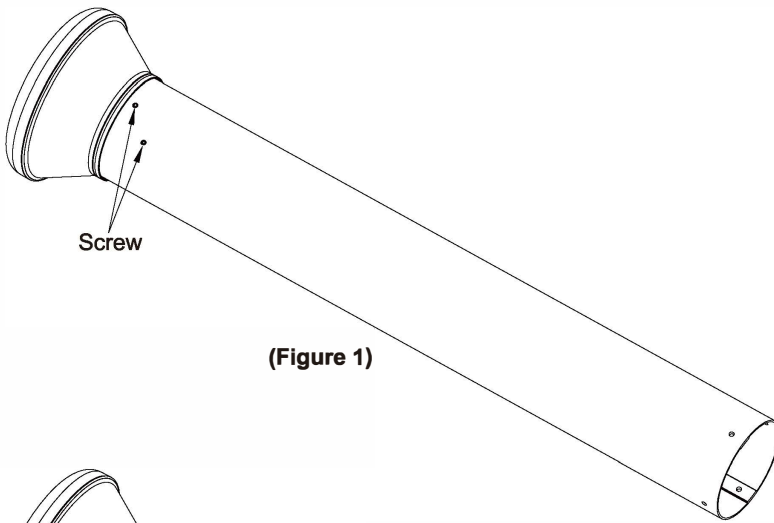
ROUND BOLLARD



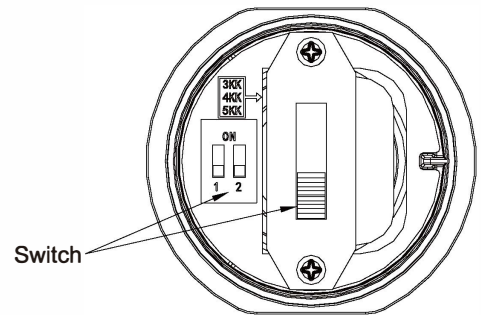
CCT Power Regulator Installation Instructions

1. Remove the Light Pole
 - a. Unscrew the two screws securing the light pole.
 - b. Carefully support the input wiring to prevent accidental disconnection. (Figure 1)
2. Access the Regulator
 - a. Gently pull out the regulator cover. (Figure 2)
3. Adjust CCT Settings
 - a. Follow the adjustment instructions to set the fixture to the desired CCT level. (Figures 3 & 4)
4. Reassemble the Fixture
 - a. Once adjustments are complete, reinstall any accessories that were removed.
5. Adjust Power Settings
 - a. To modify power output, first connect the dimming light to the power adjustment dial.

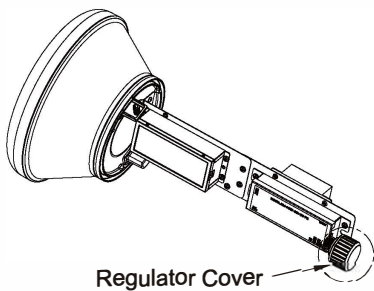
Ensure all components are securely fastened and test the fixture before completing the installation.



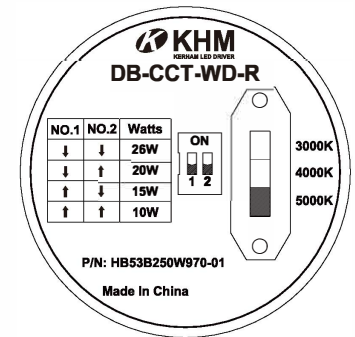
(Figure 1)



(Figure 3)



(Figure 2)

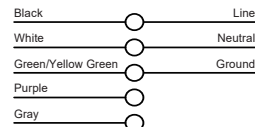


(Figure 4)

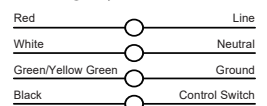
TOOLS REQUIRED

Mounting Type	Accessory	Specifications	Quantity
	Bollard Base	MBL0124DZ-D134H143(D)-YZ	1
	M8-SS nuts	M8-SS	4
	Anchor Bolts	MBL0124ZJ-L314W8H67	4
	Spring Washer	M8-SS	4
	Round Screw Washer	M8-OD15ID8.5H1.4-SS	4

Wire Connection



Emergency Wire Connection



Note: Two dimming wires are in the driver box.